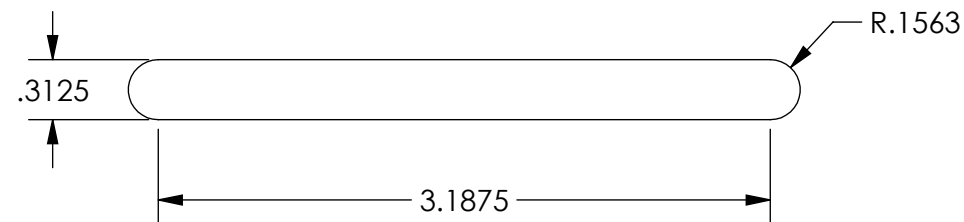
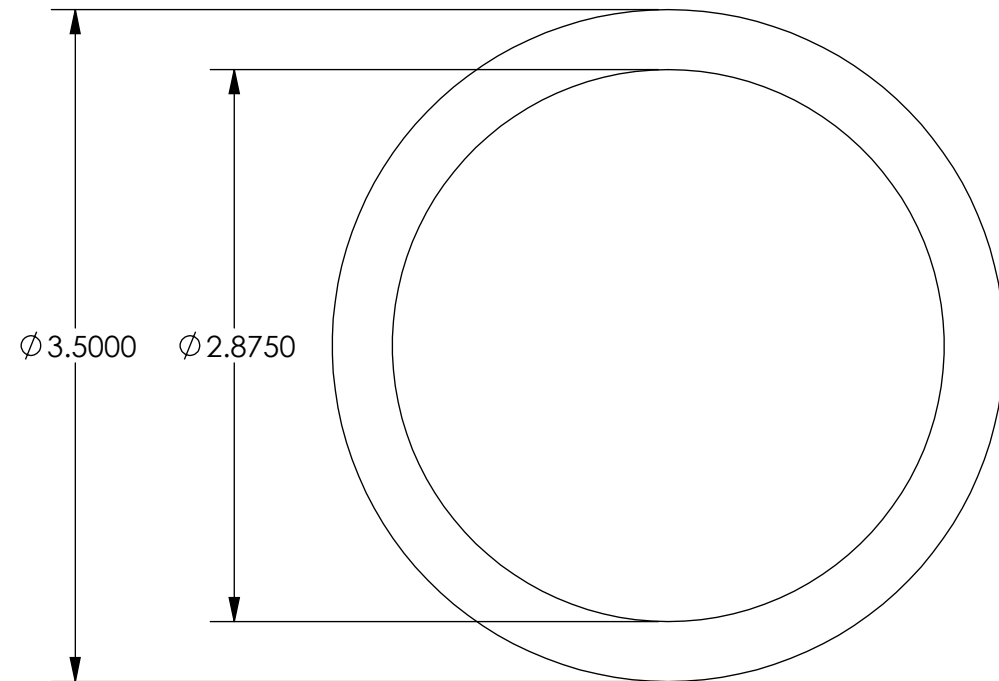



The information contained in this document is the sole property of Creative Plastics LLC. Any reproduction, in part or as a whole without the written permission of Creative Plastics LLC is strictly prohibited.



CUT LENGTH:	
MATERIAL:	PC
COLOR:	CLEAR
PART THICKNESS:	.3125"
NOTES:	

REVISIONS			
REV.	DESCRIPTION	DATE	ECR No.
0	RELEASED FOR PRODUCTION	-	

DIMENSIONS IN PARENTHESES ARE FOR REFERENCE ONLY ENCIRCLED DIMENSIONS ARE CRITICAL TO QUALITY UNLESS OTHERWISE SPECIFIED: DIM. ARE IN INCHES, ANGULAR TOL. = ±1° LINEAR = ±.032" FRACTIONS = ±1/32 INTERPRET DIM. & TOL. PER ASME Y14.5M - 1994	DESIGN: WH	ENG.	DATE 10/24/2011	 Creative Plastics LLC <small>WWW.CREATIVEPLASTICSLLC.COM</small> <small>1039 Willowdale Rd. NW Dalton, GA 30720</small>
	WEIGHT: .0330 LBS	SCALE: NTS	SIZE: A	
	DIE NUMBER	QUOTE NUMBER		
	ITEM DESCRIPTION SCARF RING			
	PART NUMBER BCF-SCARF RING			REV.