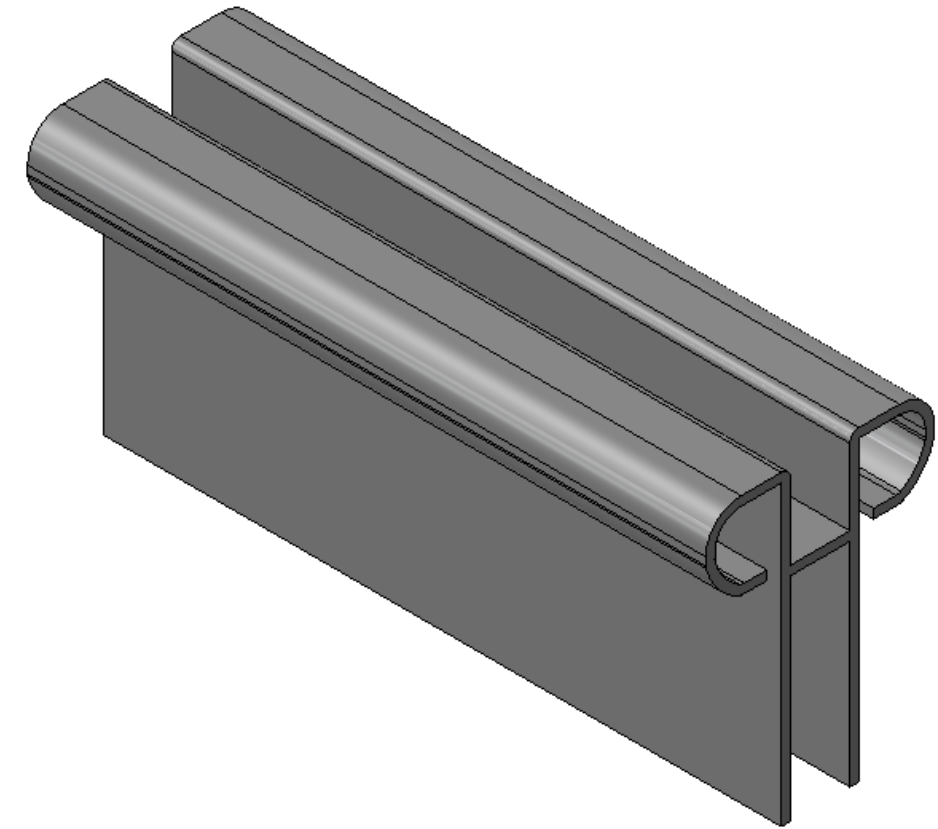
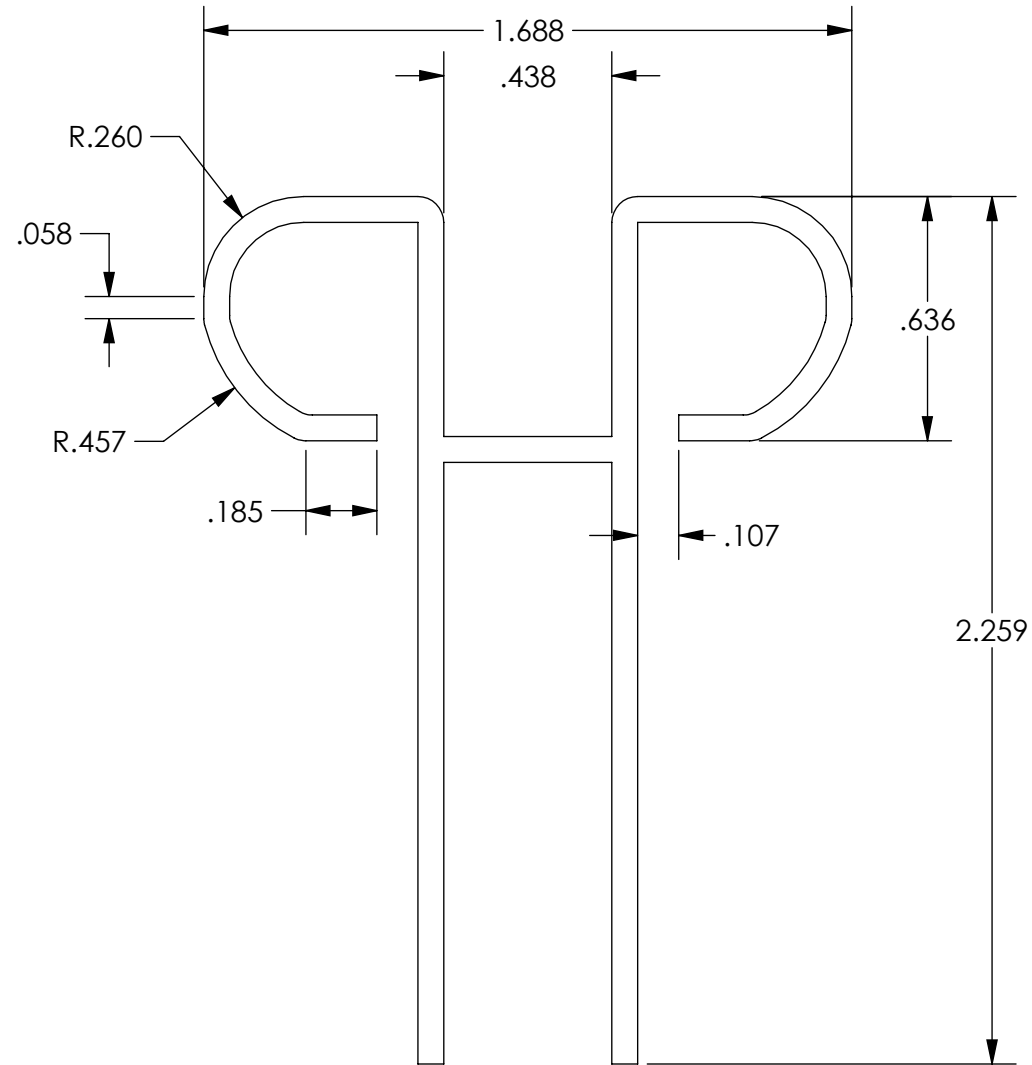



The information contained in this document is the sole property of Creative Plastics LLC. Any reproduction, in part or as a whole without the written permission of Creative Plastics LLC is strictly prohibited.



CUT LENGTH:	17.000"
MATERIAL:	RPVC
COLOR:	BLACK
PART THICKNESS:	.067"
NOTES:	

REVISIONS			
REV.	DESCRIPTION	DATE	ECR No.
0	RELEASED FOR PRODUCTION	-	

DIMENSIONS IN PARENTHESES ARE FOR REFERENCE ONLY ENCIRCLED DIMENSIONS ARE CRITICAL TO QUALITY UNLESS OTHERWISE SPECIFIED: DIM. ARE IN INCHES, ANGULAR TOL. = $\pm 1^\circ$ LINEAR = $\pm .032$ " FRACTIONS = $\pm 1/32$ INTERPRET DIM. & TOL. PER ASME Y14.5M - 1994	DESIGN:	ENG.	DATE	 Creative Plastics LLC WWW.CREATIVEPLASTICSLLC.COM 1039 Willowdale Rd. NW Dalton, GA 30720
	WH		12/12/2011	
	AREA:	SCALE:	SIZE:	
	.5016	NTS	A	
	DIE NUMBER	QUOTE NUMBER		
	0312A			
	ITEM DESCRIPTION			
	DOUBLE SIDED CARPET HANGER			
	PART NUMBER	REV.		
	CH1022			

SHEET 1 of 1